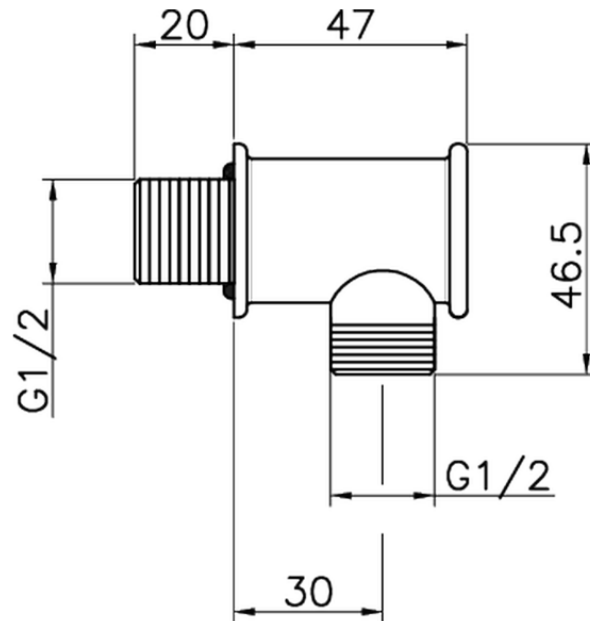


Pres a d'acqua VICTORIAN_67.04H.



67.04H.

<http://www.huberitalia.com/presa-dacqua-victorian-67-04h>

2025-04-04