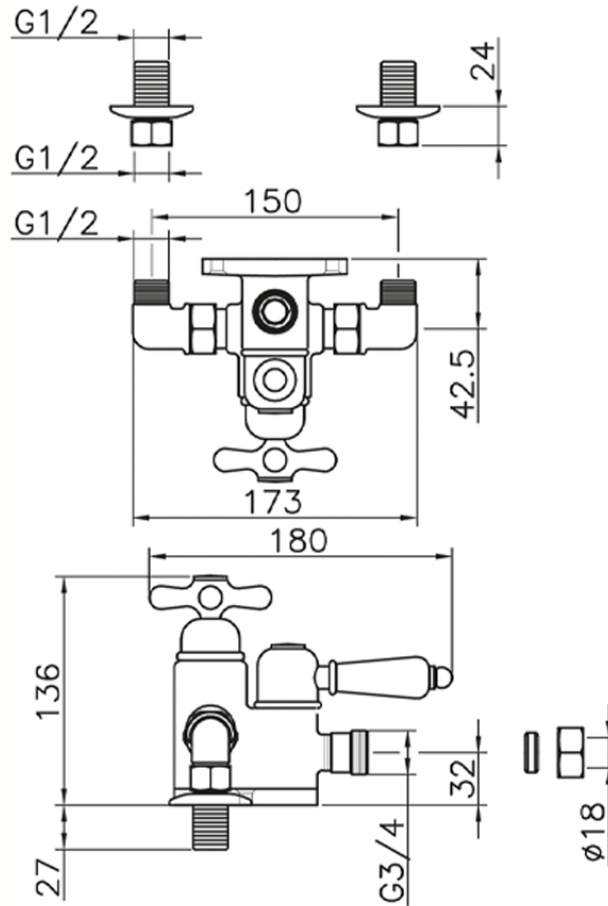


## Miscelatore termostatico doccia CROISSETTE\_150.CS51H.



150.CS51H.

<http://www.huberitalia.com/miscelatore-termostatico-doccia-croisette-150-cs51h>

2025-04-04