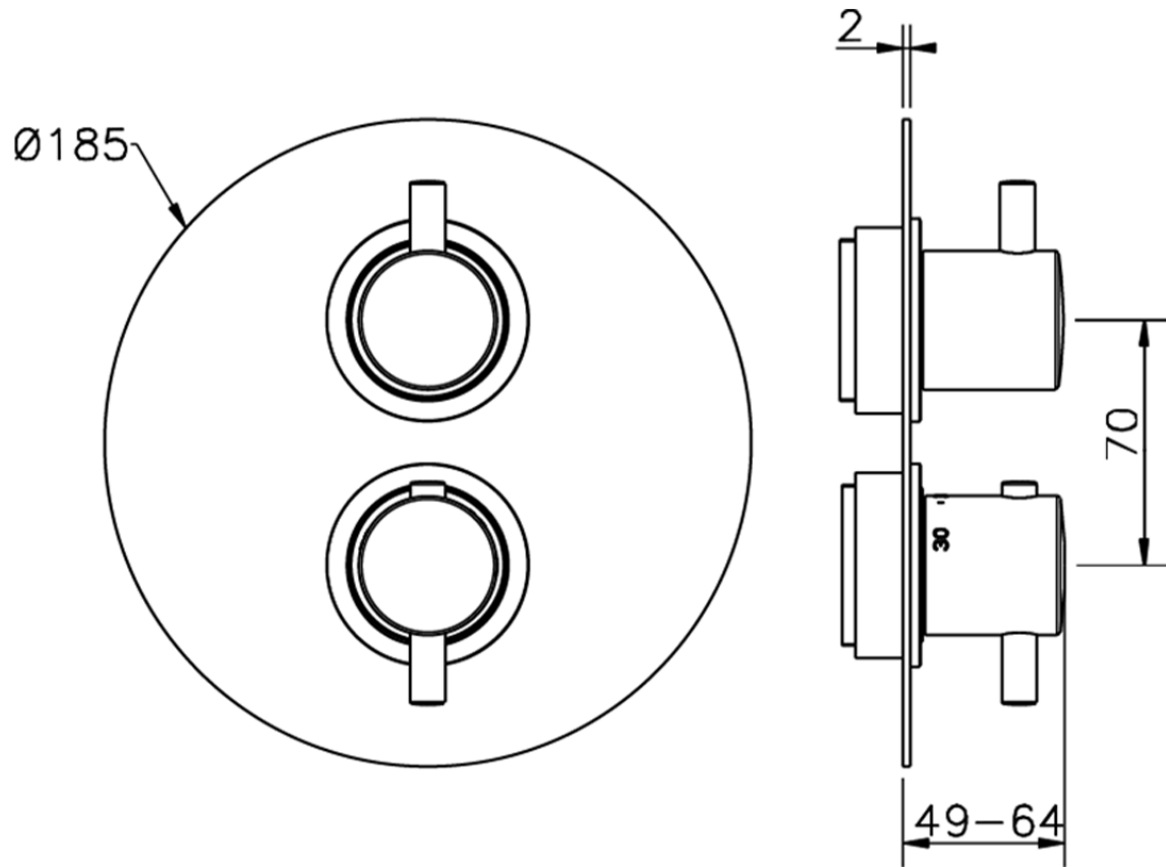
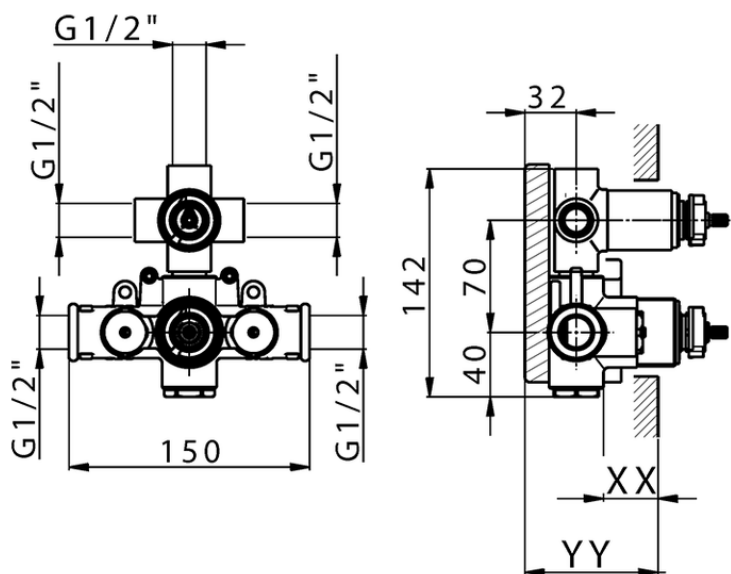


## Parte esterna termostatico incasso 3 uscite THERMO\_K2018200



K2018200

<https://huberitalia.com/parte-esterna-termostatico-incasso-3-uscite-thermo-k2018200>



Piastra/Plate/Plaque/Platte/Placa

2-3mm: XX 25-40 YY 76-91

10 mm: XX 16-31 YY 65-80

ZB018201

<https://huberitalia.com/parte-incasso-termostatico-doccia-3-uscite-incasso-zb018201>

2024-11-21