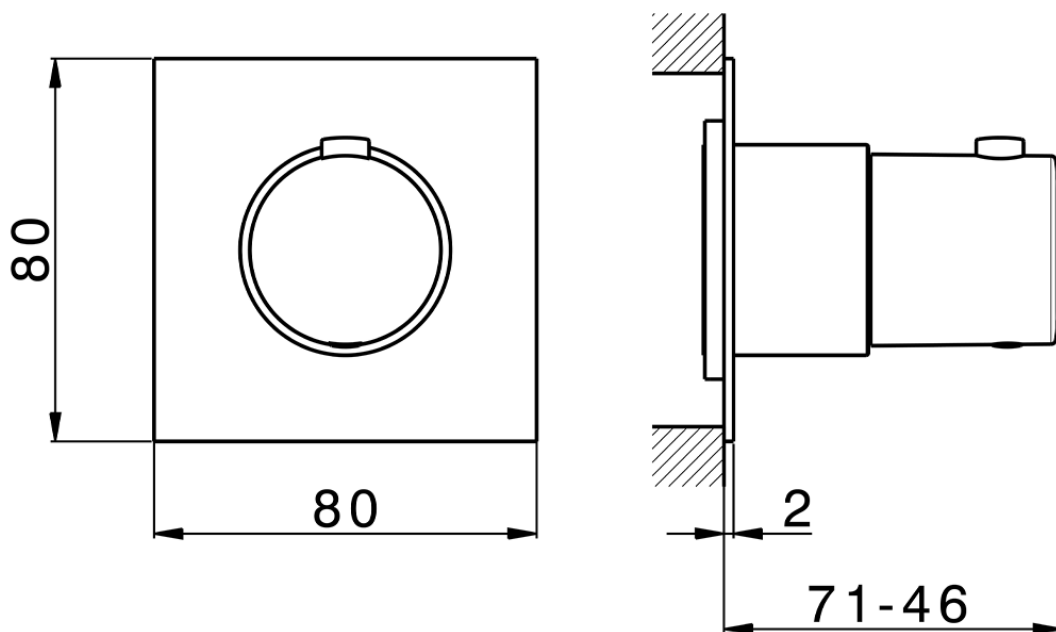


## Parte esterna termostatico incasso PUSH&SHOWER\_PS0G1030



PS0G1030

<https://www.huberitalia.com/parte-esterna-termostatico-incasso-pushshower-ps0g1030>



ZB0G1000

<https://www.huberitalia.com/parte-incasso-termostatico-incasso-zb0g1000>

2024-12-22