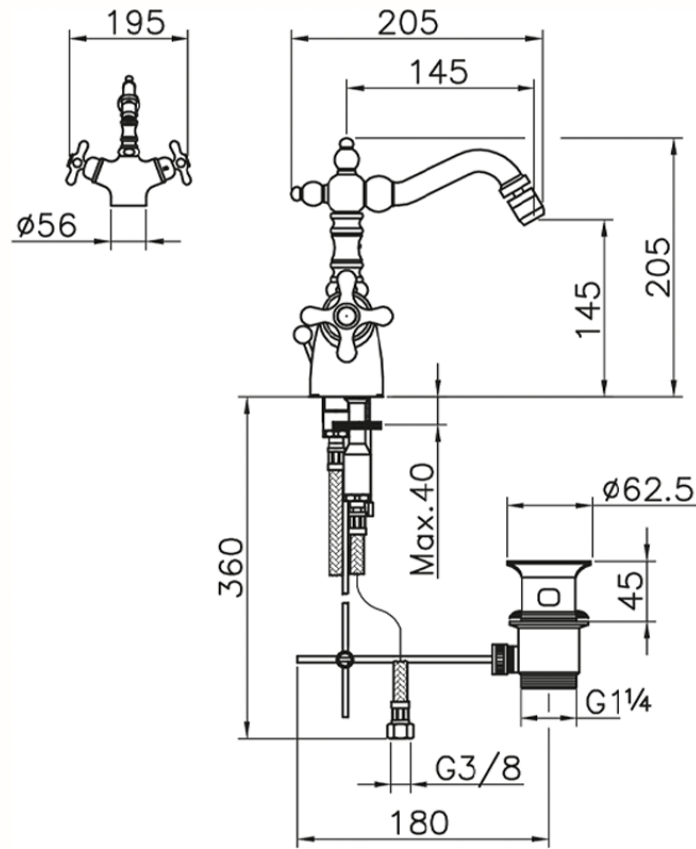


Miscelatore termostatico bidet CROISSETTE\_CST56010



CST56010

<https://www.huberitalia.com/miscelatore-termostatico-bidet-croisette-cst56010>

2024-12-22