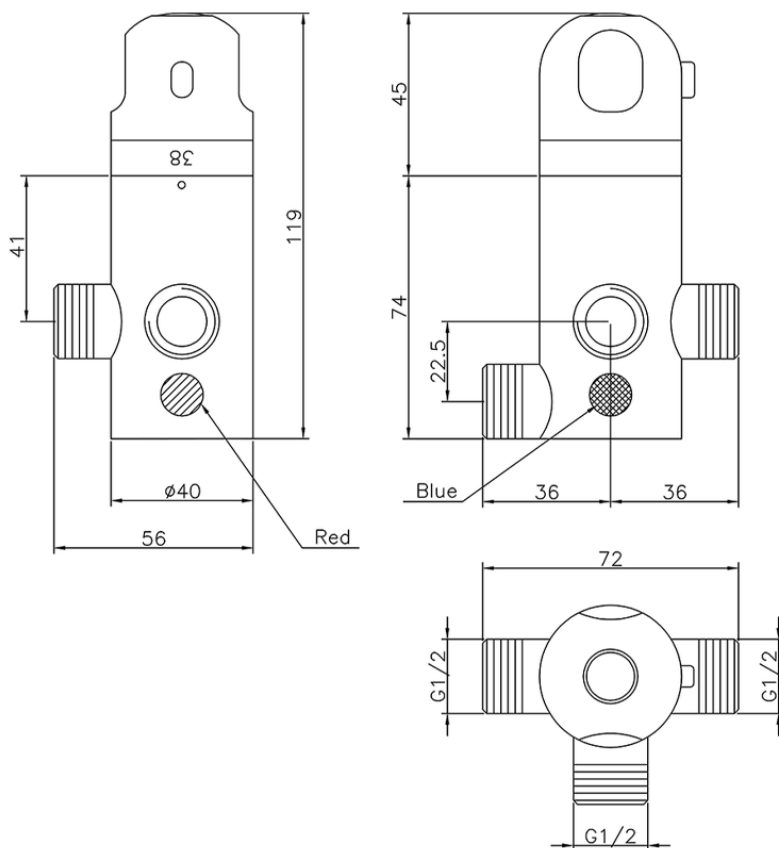


Miscelatore termostatico sotto boiler CLINIC&TECHNICAL_42.01H.



42.01H.

<https://huberitalia.com/miscelatore-termostatico-sotto-boiler-clinictechnical-42-01h>

2024-12-04